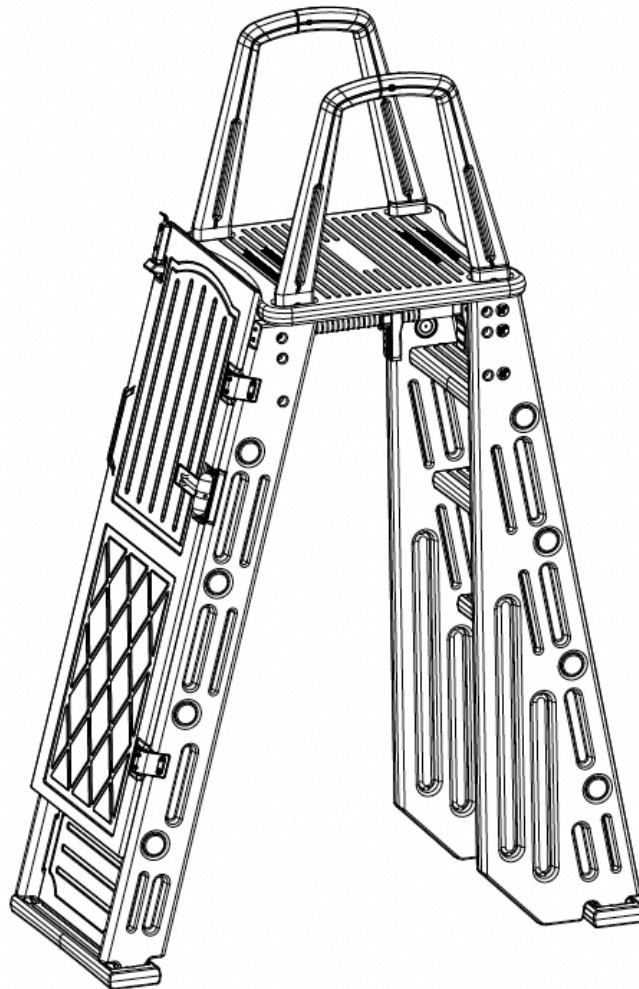


# AFL1

## A-Frame Safety Ladder

Owner's Manual



Scan to register your  
product warranty

**GoPool**

## Warranty registration

Thank you for choosing GoPool! Register your product today to activate your warranty and get quick, hassle-free support when you need it.



Scan to register your product warranty



### WARNING

This equipment must be installed and serviced according to the information found in this manual. Improper installation can create hazards which could result in property damage, serious injury or death. Improper installation will void the warranty.

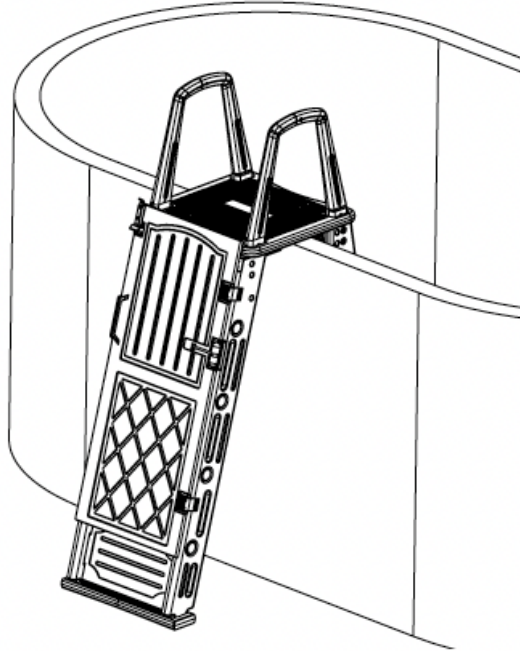
## Table of contents

Introduction .....	1
Assembly and Use Instruction .....	2
Parts List.....	8

## Product Introduction

A-Frame ladder adopts blow molding process and polyethylene material, which has strong corrosion resistance feature. The whole ladder has been polished to ensure a nice foot touch. The treads has round embossments which effectively prevents slipping. Enforced thick material guaranteed the safety and stability and durability.

The ladder is suitable for 48-54 height above-ground swimming pools. The external ladder is designed to be swung up. When the swimming pool is not in use, the external ladder can be swung up and fixed to prevent children from accidentally entering.



## Warning and Cautions

- a. Locate ladder on a solid base.
- b. One person on the ladder at a time.
- c. Ladder **MUST** be installed and used per manufacturer instructions.
- d. Face ladder when entering and leaving pool.  
**DANGER: No Jumping or Diving from ladder.**
- e. Do not let children play with the ladder.
- f. In order to avoid injury during the installation and handling of heavy objects, it is recommended to carry them together by two people.
- g. To prevent entrapment or drowning, **DO NOT** swim through, behind or around ladder. **DO NOT** install the ladder at the suction point.
- h. Weight limit - 250 lbs maximum  
**Warning: Exceeding the maximum weight restriction may cause the ladder to fail.**
- i. When ladder is not in use, lock up outer treads.

# Assembly and Use Instruction

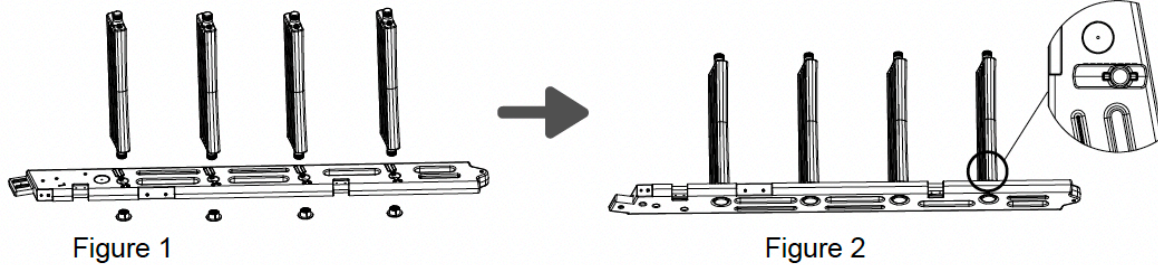


01. Remove the A-Frame ladder and its accessories from the box and check whether all the accessories are complete.

02. Insert the 4 treads into the holes of the left outer upright column in sequence, and insert the end slots into the cover (see Figure 1).

**NOTE -**

The two holders need to be snapped into the groove in the same direction.



03. Lift the left outer upright column (with treads already installed) upright, simultaneously inserting the other ends of the treads into the holes of the right outer upright column, then insert both ends of the baffle plate into the grooves of the left and right outer upright columns (see Figure 3).

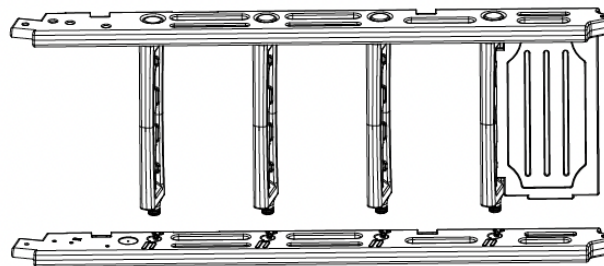
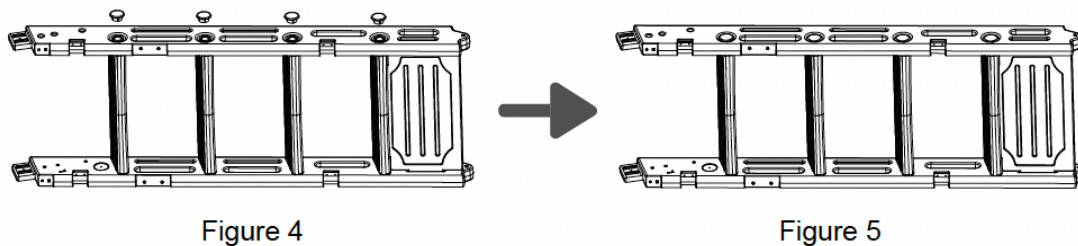


Figure 3

04. Lift the right outer upright column (with treads already installed) upright, engage the end slots of the treads into the covers, and install 4 covers (see Figure 4).



05. Lift the upright column (with treads already installed) upright, and engage the round clip at the bottom of the upright column into the slot of the bottom tread (see Figure 6).

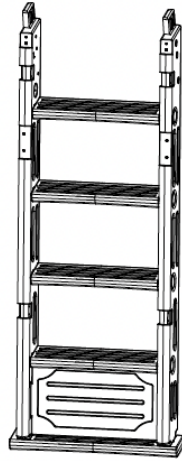


Figure 6

06. The installation method for the first six treads of the inner upright column is the same as that of the outer upright column. Refer to Figure 7 for the appearance after installation.

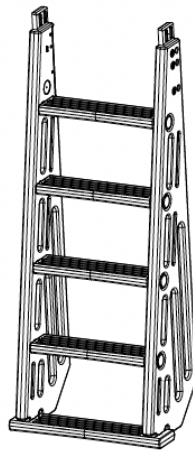


Figure 7

07. Pour sand into the sand filling hole at the top of the horizontally placed inner upright post. Once filled, stand the post upright to allow the sand to settle to the bottom. Repeat this process until, when the pool is placed, the base plate of the upright post can stably press against the pool floor without floating up. After filling, cover the sand filling hole with a cap (see Figure 8).

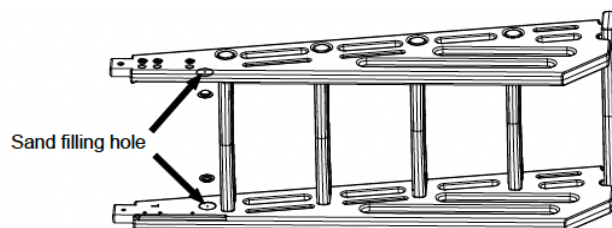
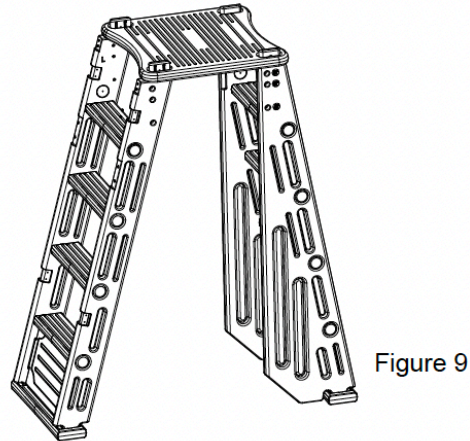
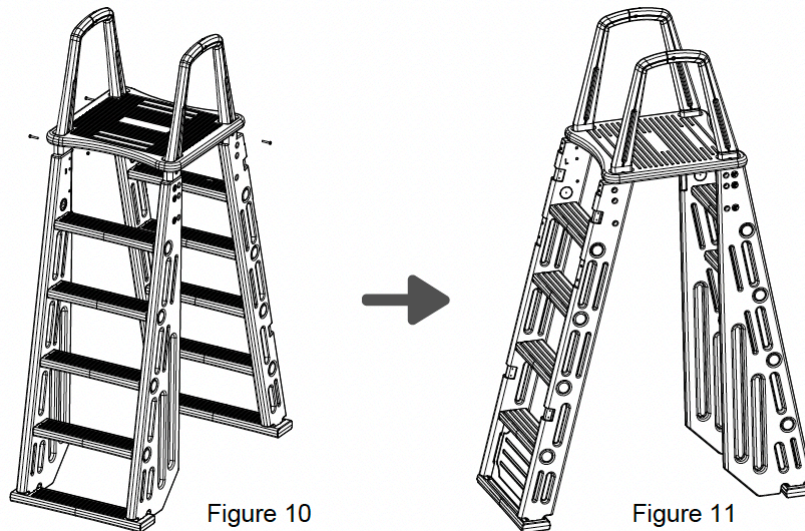


Figure 8

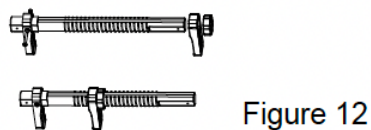
08. Insert the inner and outer treads into the four holes of the tread respectively (see Figure 9).



09. Insert the end of the tread handrail into the hole of the staircase tread and align it with the screw through-hole at the end of the upright post. Place four M6 nuts into the hexagonal slots of the upright post or handrail, then fasten the handrail and upright post together using four M6x30 screws. Place two M6 nuts into the hexagonal slots at the top of the handrail, and secure the handrails together using two M6x30 screws (see Figure 10).



10. Slide the fixed pressure plate onto one end of the threaded rod and align it with the through-hole of the rod, then secure it using one M6x45 screw. Slide the movable pressure plate onto the other end of the threaded rod and tighten with a nut. Refer to Figure 12 for the positions of the pressure plates and nuts. Install two sets as described.



11. After determining the height of the pool fence, align the through-hole of the threaded rod (with pressure plates installed) with the through-hole of the upright post according to the corresponding scale marked on the post. Insert two M6 nuts into the threaded rod and secure them using two M6x60 screws. Install the rod assembly on the other side in the same manner (see Figure 13).

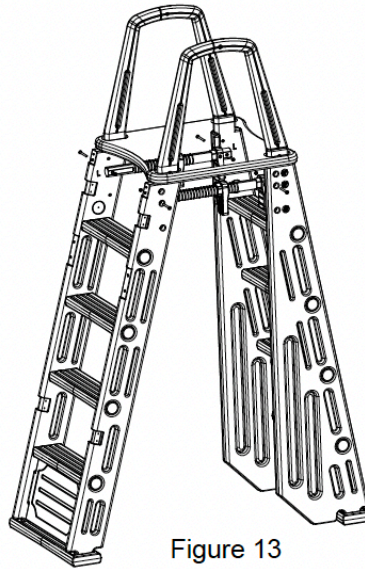


Figure 13

12. The gate can be set to open from either the left or right side. If opening from the left side (the side of the left outer upright post marked with «L»), secure the strike plate to the left outer upright post («L» mark) using four ST4.238 tapping screws, and attach the door closer body and door closer block to the right outer upright post («R» mark) using four ST4.230 tapping screws (see Figure 14-1). If the gate opens from the right side (the side of the right outer upright post marked with «R»), refer to Figure 14-2 for the positions of the strike plate and door closer assembly.

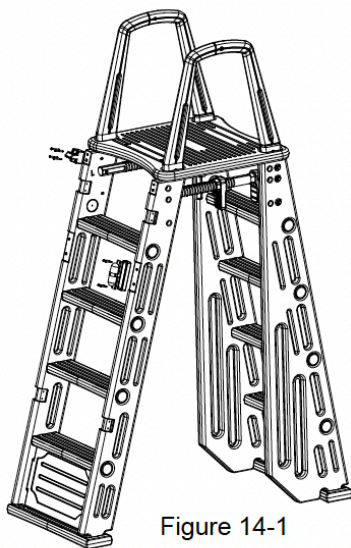


Figure 14-1

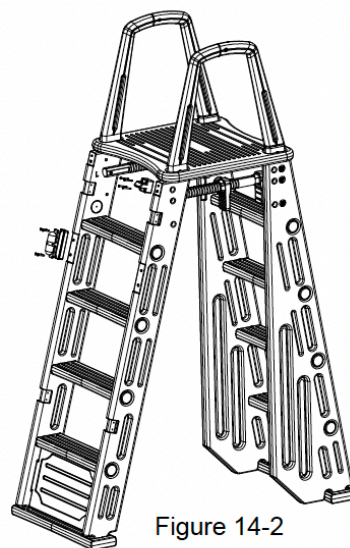


Figure 14-2

13. The gate can be set to open from either the left or right side. If opening from the left side (the side of the left outer upright post marked with «L»), install the upper hinge of the gate onto the right outer upright post («R» mark) using a hinge bracket and secure it with two M6x40 screws and two M4x10 screws. Install the lower hinge in the same manner (see Figure 15-1). If the gate opens from the right side (the side of the right outer upright post marked with «R»), refer to Figure 15-2 for the positions of the gate and hinge assembly.

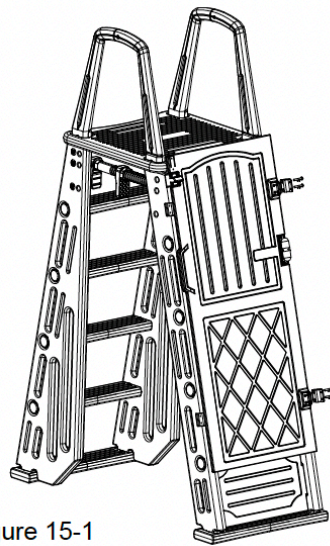


Figure 15-1

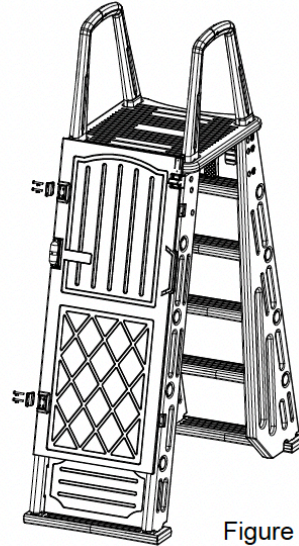


Figure 15-2

14. The gate can be set to open from either the left or right side. If opening from the left side (the side of the left outer upright post marked with «L»), secure the spring lock to the gate using two ST5.5x30 tapping screws. Select the appropriate screw hole position on the door closer body and tighten the door closer arm, ensuring sufficient closing force (see Figure 16-1). If the gate opens from the right side (the side of the right outer upright post marked with «R»), refer to Figure 16-2 for the positions of the spring lock and the door closer arm.

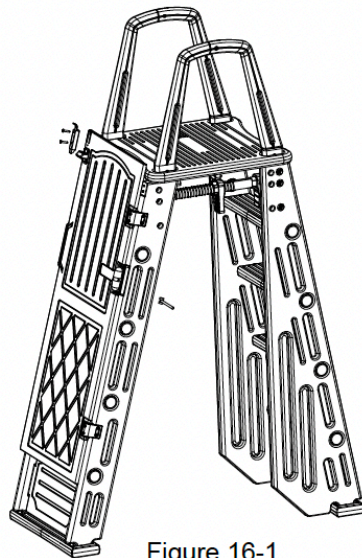


Figure 16-1

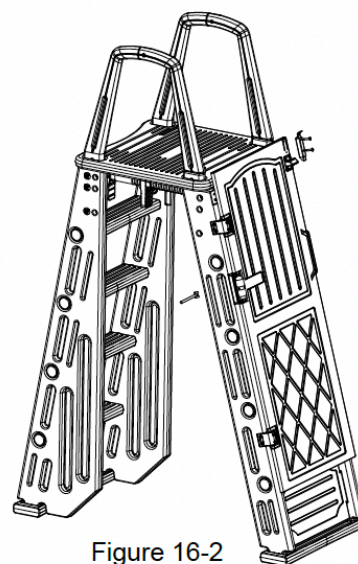
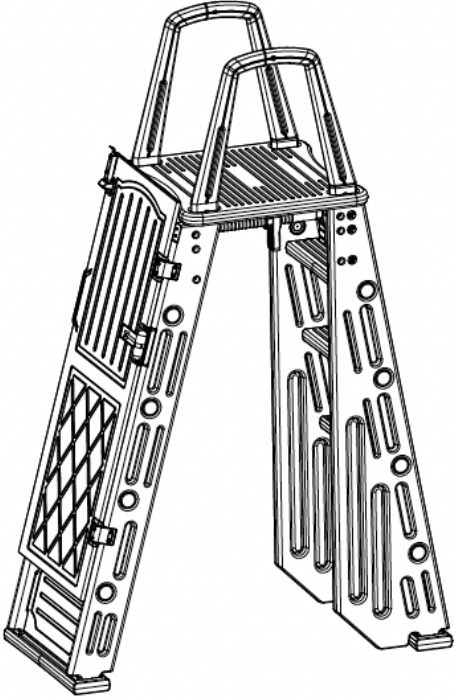
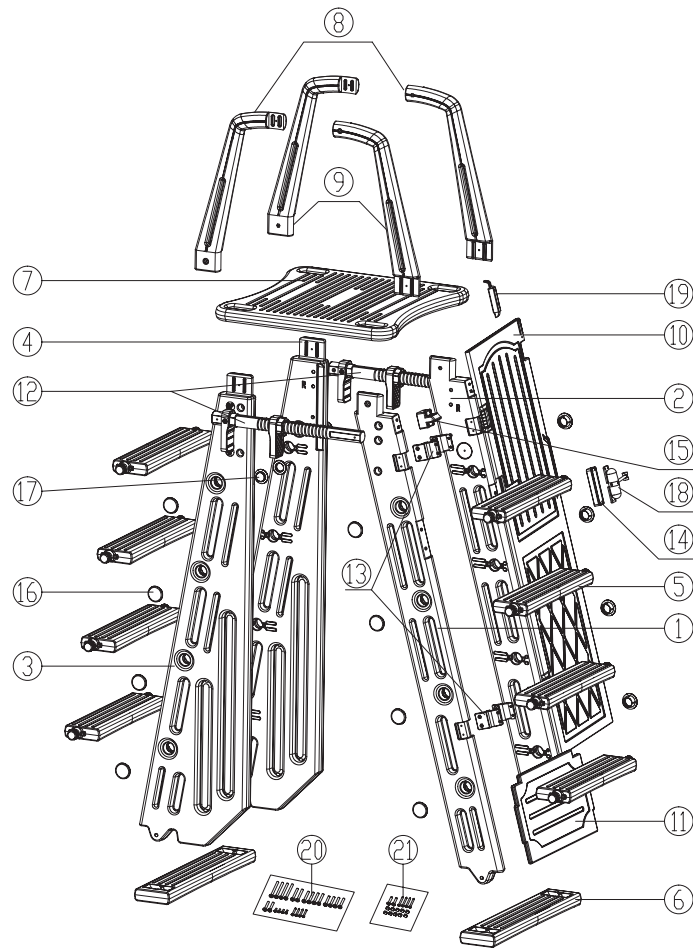


Figure 16-2



15. The final assembled appearance is shown in Figure 17.





Ref. No.	Part No.	Description	Quantity
1	47155301001	Support Plate (Left outer side)	1
2	47155302001	Support Plate (Right outer side)	1
3	47155303001	Support Plate (Left inner side)	1
4	47155304001	Support Plate (Right inner side)	1
5	47155305001	Plastic Staircase Tread	8
6	47155306001	Bottom Plastic Staircase Tread	2
7	47155307001	Top Plastic Staircase Tread	1
8	47155308001	Handrail 1	2
9	47155309001	Handrail 2	2
10	47155310001	Plastic Pool Stair Gate	1
11	47155311001	Plastic Stair Barrier Panel	1
12	647155371000	Stair Bolt Assembly	2
13	647155372000	Pivot Assembly	2
14	47155318001	Door Closer Mounting Block	1
15	47155319001	Stair Latch	1
16	48850112001	Small Stair Cover	16
17	49710606001	Small Stair Waterproof Cap	2
18	5759015000	Stair Door Closer	1
19	5243032000	Spring Latch	1
20	5862081000	Screw Bag 1	1
21	5862082000	Screw Bag 2	1

Use only GoPool genuine replacement parts.

# GoPool

Need parts or accessories ?  
[GoPool.com](http://GoPool.com)